

PRODUCT INFORMATION PACKET

Model No: 5KCR49TN8058T
Catalog No: C1274
2,3450,TENV,145T,1/60/115/230
Aeration Fan



Regal and Marathon are trademarks of Regal Beloit Corporation or one of its affiliated companies.
©2018 Regal Beloit Corporation, All Rights Reserved. MC017097E





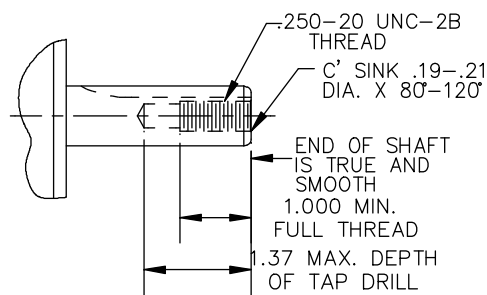
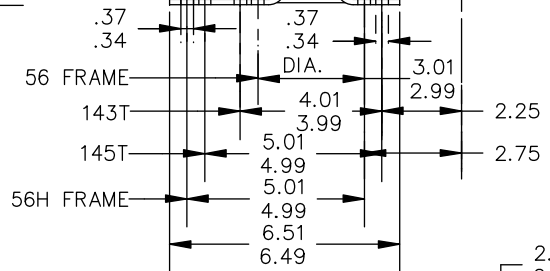
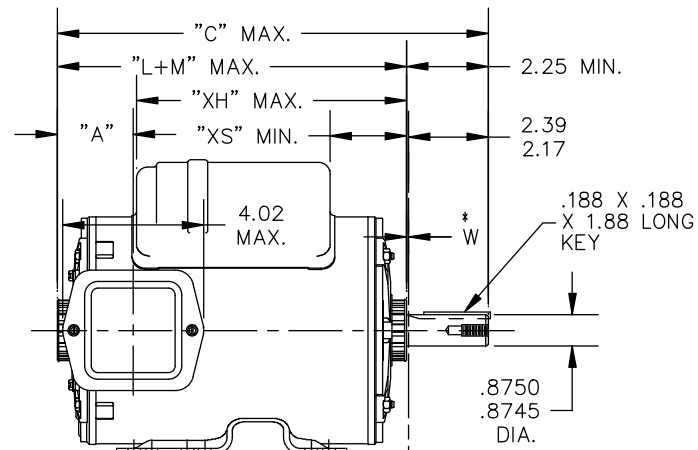
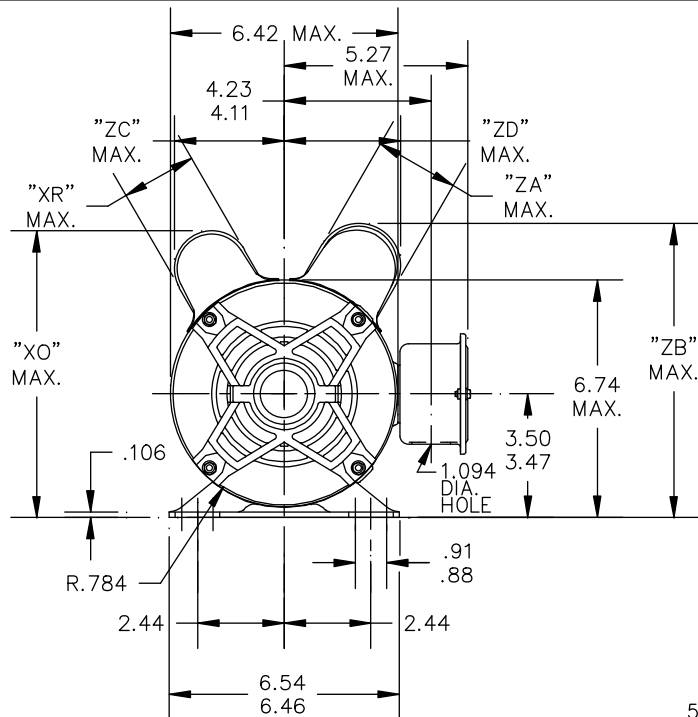
Nameplate Specifications

Output HP	2 Hp	Output KW	1.5 kW
Frequency	60 Hz	Voltage	115/230 V
Current	17.8,8.9 A	Speed	3450 rpm
Service Factor	1.15	Phase	1
Efficiency	83.3 %	Duty	Continous
Insulation Class	B	KVA Code	G
Frame	145T	Enclosure	Totally Enclosed Non Ventilated
Overload Protector	AUTO	Ambient Temperature	40 °C
Drive End Bearing Size	6205	Opp Drive End Bearing Size	6203
UL	Recognized	CSA	Yes
CE	N		

Technical Specifications

Electrical Type	Capacitor Start Capacitor Run(CSCR)	Starting Method	SM
Poles	2	Rotation	Counterclockwise/Clockwise
Mounting	Rigid base	Motor Orientation	Any
Drive End Bearing	BALL	Opp Drive End Bearing	BALL
Frame Material	Rolled Steel	Overall Length	12.28 in
Frame Length	7.68 in	Shaft Diameter	0.880 in
Shaft Extension	2.25 in		
Outline Drawing	52A109620P2	Connection Diagram	52A105383BA

This is an uncontrolled document once printed or downloaded and is subject to change without notice. Date Created: 07/02/2018



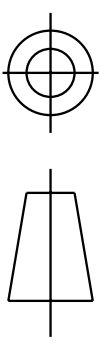
ENLARGED VIEW OF SHAFT EXTENSION

*W IS A VARIABLE CLEARANCE DUE TO VARIATIONS IN PARTS AND ASSEMBLY

ALL DIMENSIONS ARE IN INCHES

2	KCR	49	143T 145T	12.28	10.01	8.19	8.16	2.10	2.57	2.40	8.39	3.14	3.33	2.18	7.68
1	KCR	49	143T 145T	13.69	11.32	8.28	8.16	2.10	2.59	2.72	8.78	3.14	3.43	2.93	8.99
P	TYPE	RBC SIZE	NEMA FR.	"C"	"L+M"	"XH"	"XO"	"XR"	"XS"	"ZA"	"ZB"	"ZC"	"ZD"	"A" MAX.	MIN. SHELL

				TOLERANCES UNLESS SPECIFIED		REGAL-BELOIT CORPORATION				DRAWN MK 05/13/94			
				DEC.	INCHES					CHK			
				.X	±0.1	TITLE				APPD M.A.M 05/13/94			
				.XX	±0.02					SCALE 1=1			
4	REDRAWN IN DRAFT SIGHT NO CHANGES	UD	10/18/12	PKG	.XXX	±0.005	OUTLINE TENV- WELDED BASE				REF		
3	TAPPING ADDED PER ISO9-1251	AT	04/03/09		.XXXX	±0.0005					MAT'L.		FMF
NO.	REVISION	BY & DATE	CHK	ANG	±1.0	FINISH	PREV						
THIS DRAWING IN DESIGN AND DETAIL IS OUR PROPERTY AND MUST NOT BE USED EXCEPT IN CONNECTION WITH OUR WORK ALL RIGHTS OF DESIGN AND INVENTION ARE RESERVED THIS IS AN ELECTRONICALLY GENERATED DOCUMENT - DO NOT SCALE THIS PRINT				RFP	CAD FILE			52A109620		SIZE	DRAWING NO.		REV.
				DIST				A	52A109620		4		

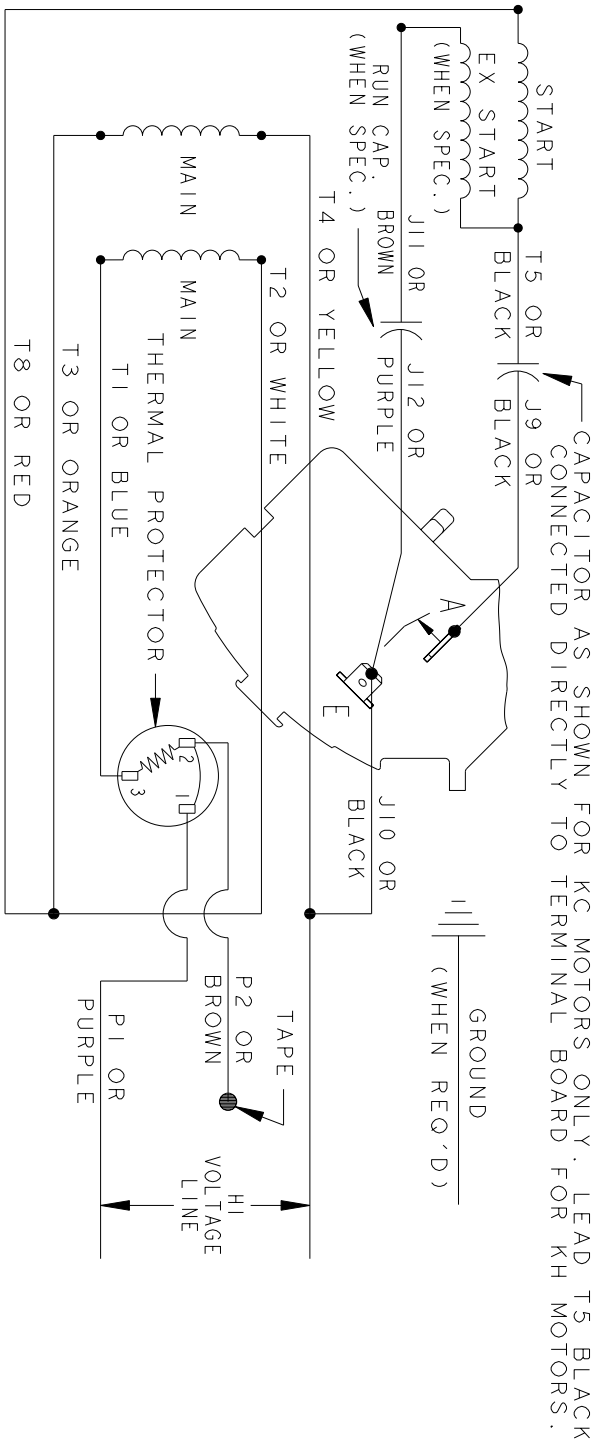
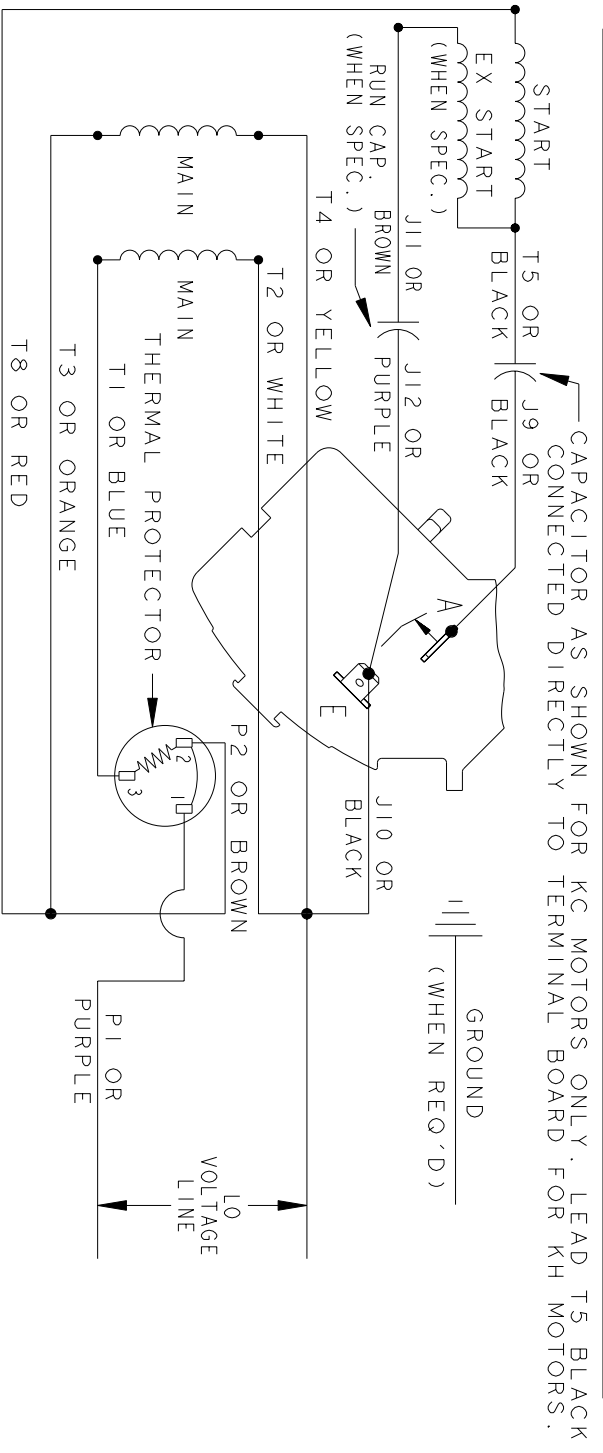


THIRD ANGLE PROJECTION

REVISIONS

REV.	DESCRIPTION	DATE	APPROVED
7	UPDATED FORMAT	01/05/06	MAM

CCW/CW ROTATION - DUAL VOLTAGE
 TYPE KC, KH OR KCR - WITH THERMAL PROTECTOR



NOTE#1 - TO REVERSE ROTATION, INTERCHANGE T8 RED AND J10 BLACK LEADS.
 NOTE#2 - WHEN MORE THAN ONE CAPACITOR IS USED, CONNECT IN PARALLEL.
 NOTE#3 - 115D958ABP5 - HIGH CURRENT CONTACTS.

SWITCH (C) - 115D958ABP5, SWITCH (H) - 115D958AA (USE 115D958DA FOR EP)

REF. DIAG. - 113A327, 119A9352 & 52A102102 CONNECTION LABEL - 52X332912

SIGNATURES		DATE	TITLE	
MODEL	M.D.P.	06/29/87	REGAL-BELOIT CORPORATION	
DETAIL			CONNECTION DIAGRAM	
CHECKED			FME: 30 FRAME SWITCH REDESIGN	
ENGRG			52A105383BA	
MFG			SCALE: 1.000	REF. No.:
QUALITY				
ISSUED	M.D.P.	12/11/97		
APPLIED PRACTICES				
DIMENSIONS ARE IN INCHES				
MATERIAL	SOLID MODEL: 52A105383BA			